

TMAA03-02 Security Bracket Installation Instructions



Warning!! When installing the security bracket, ensure that it is well secured, otherwise there is a risk that the whole assembly of the radio and security bracket may become loose over time, or as a result of serious impact.



Warning!! For continued safe operation, replace and do not re-use the security bracket once it has been involved in a crash greater than 50km/h (30mph).



Important: Do not mount the security-bracket mounting rails directly to the metal lid of the radio body or use the incorrect screw length. This will cause irreversible damage to the radio.

Damage is also possible if the installation instructions are not followed exactly.

Introduction

The TMAA03-02 security bracket can be used in place of the standard U-bracket in locations where you want to stop opportunistic removal of the radio by a third party, or where you want to have a quick release setup that allows you to swap over radios (e.g. leasing situation). The security bracket also provides electrical isolation to the radio.



Important: The TM8200/TM9100 control heads are taller than TM8100 control heads, so each security bracket kit comes with two different sets of mounting rails and mounting screws:

- the shorter rail and the 25mm screws are used with TM8100 radios, and
- the taller rail and the 30mm screws are used with TM8200/TM9100 radios.

Installing the Security Bracket and Radio

The parts of the TMAA03-02 security bracket kit are illustrated in the diagram below.

Security bracket parts

Mounting rails (④ and ⑤; ④ pictured)

⑥

⑦

⑧

②

①

③

④

Insertion

Space required

TM8100:
79.5mm
(pictured)

TM8200/TM9100:
87.0mm

Assembled

⑤

TM8100:
66.0mm

TM8200/TM9100:
73.5mm
(pictured)

Description	Quantity	Description	Quantity
① security-bracket base	1	⑤ tall mounting rails for TM8200/TM9100	2
② side locks (left and right)	2	⑥ M4x25mm screws (TM8100) or M4x30mm screws (TM8200/TM9100)	4
③ slide-lock key	2	⑦ self-drilling screws	4
④ short mounting rails for TM8100	2	⑧ shake-proof washers	4

Note: ① and ② are pre-assembled.

Selecting the Mounting Position

The circled numbers in the following sections refer to the items in the diagram on [page 2](#).



Warning!! When installing the security bracket, ensure that it is well secured, otherwise there is a risk that the whole assembly of the radio and security bracket may become loose over time, or as a result of serious impact.

Before installing the security bracket, make sure that the site you have chosen for the installation meets the following criteria:

- The site has enough height for the radio to be easily fitted and removed. The measurements given in the diagram are the heights of the radios and base only. Allow extra space for manipulation.



Note: You will need more space if you are installing a TM8200/TM9100 radio.

- The site has enough depth for the radio. Check that the front and rear overhang of the radios will fit where you are mounting the security bracket.
- The site allows for good air circulation, particularly at the rear of the radio.

Mounting the Security-Bracket Base

Once you have identified a suitable site for the security bracket and radio, use the following procedure to install the security-bracket base ①.



Important: When mounting the security bracket, check whether the mounting surface needs to be reinforced.

1. Drill any holes required for cables and install suitable grommets or bushings in the holes.
2. Screw the security-bracket base in the chosen mounting position using the four self-drilling screws ⑦ and washers ⑧ provided. The base actually has five screw holes available, but the centre screw hole does not need to be used.

The layout and dimensions of the five screw holes are identical to that of the T2000 cradle.



Note: For more precise positioning, predrill 3mm \varnothing (1/8 inch) pilot holes for the self-drilling screws. Reduce the hole size in metal that is less than 1mm (1/32 inch) thick.

Mounting the Radio in the Security-Bracket Base

1. Select the correct mounting rails (④ or ⑤) and screws (⑥) and attach a rail to each side of the radio chassis.

Use two screws per rail and tighten the screws to a minimum torque of 2.26N.m (20in.lbf).



Note: The shorter rail ④ and 25mm screws are used with TM8100 radios and the taller rail ⑤ and the 30mm screws are used with TM8200/TM9100 radios.

2. If the slide locks ② are closed, open them by inserting the slide lock key ③ into the keyhole. Rotate the key 90° (it will slip into a detent), and pull.

Two slide lock keys are supplied so that you can either use them both at once, or so that you can keep one as a spare.

3. Insert the radio, complete with mounting rails, into the security-bracket base. The feet of the mounting rails fit securely into the base.
4. Close the slide locks by pressing them into the base. You should hear an audible click as the internal spring-lock mechanism engages.

Other Security-Bracket Mounting Options

If it is necessary to mount the security bracket so that the radio is below the security-bracket base, and radio control head has a user interface, there are two procedures that will allow the control head to be viewed in the usual way:

- change the orientation of the radio control head before you mount the radio in the security-bracket base, or
- mount the security-bracket mounting rails through holes especially drilled in the radio cover.

Changing the Orientation of the Radio Control Head

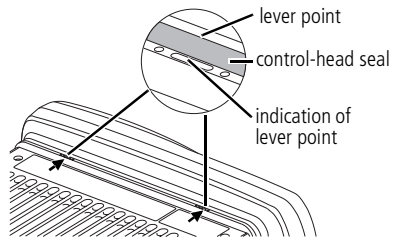
Use the following procedure to remove the control head from the radio body:



Important: During this procedure, take care that the control-head seal is not damaged. Damage to this seal reduces environmental protection.

1. On the underside of the radio, insert a 5 mm (3/16 inch) flat-bladed screwdriver between the control head and the control-head seal, in the positions shown (TM8200/TM9100 pictured).

Insertion points and are lever points and are indicated on the radio chassis by a dot-dash-dot pattern (•—•).



2. Use the screwdriver to lift the control head off the chassis clip, then repeat in the other position. Unplug the control-head loom from the radio body. The control head is now separate from the radio body.

Use the following procedure to reinstall the control head on the radio body:

1. Rotate the control head 180°, so that the control-head display is viewable once the radio is installed in the security-bracket base.
2. Plug the control-head loom onto the control-head connector.
3. Insert the bottom edge of the control head onto the two clips in the front of the radio chassis, then snap into place.

Mounting the Security-Bracket Rails through the Radio Cover

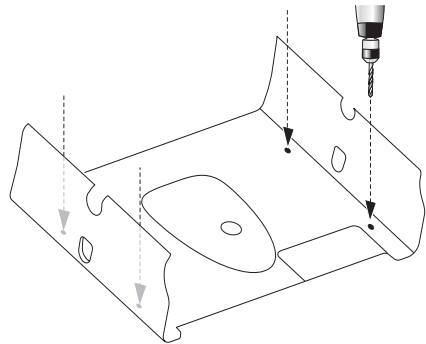


Important: If this mounting option is used, it is essential that the correct mounting rails and screws are used. The shorter rail ④ and 25mm screws are used with TM8100 radios and the taller rail ⑤ and the 30mm screws are used with TM8200/TM9100 radios.



Important: Do not mount the security-bracket mounting rails directly to the metal lid of the radio body or use the incorrect screw length. This will cause irreversible damage to the radio.

1. At the upper edge of the lower screw bosses on both sides of the radio body, insert a 3mm (1/8 inch) flat-bladed screwdriver.
2. Push the screwdriver under the cover towards the upper screw boss to release the cover from the upper screw boss.
3. Remove the cover from the radio body.
4. Drill four 5 mm Ø (3/16 inch) holes in the radio cover, in the positions indicated by the small 'dimples' on the underside of the cover.



5. Replace the cover on the radio. The holes in the cover should line up with the holes in the radio lid.
6. Select the correct mounting rails (④ or ⑤) and screws ⑥, and attach a rail to each side of the radio lid, through the holes in the radio cover.

Use two screws per rail and tighten the screws to a minimum torque of 2.26N.m (20in.lbf).



Note: The shorter rail ④ and 25mm screws are used with TM8100 radios and the taller rail ⑤ and the 30mm screws are used with TM8200/TM9100 radios.

7. Follow the instructions from step (2.) of “[Mounting the Radio in the Security-Bracket Base](#)” on page 4 to complete the installation.

Removing a Radio from the Security Bracket

Use the following procedure to remove the radio from the security bracket.

1. Open the slide locks (2) by inserting the slide lock key (3) into the keyhole. Rotate the key 90° (it will slip into a detent), and pull. The pull will be need to be quite firm to open each slide lock.
2. Remove the radio and its mounting rails by lifting it up and out of the security bracket base (1).
3. If required, remove the mounting rails (4) or (5) from the radio body base by unscrewing them.

Replacing the Radio in the Security Bracket

Use the following procedure to replace the radio in a security bracket.

1. Remove the radio from the security bracket by following the steps in [“Removing a Radio from the Security Bracket”](#) on page 7.
2. Install the new radio by following the steps in [“Mounting the Radio in the Security-Bracket Base”](#) on page 4.

Disassembling the Security Bracket

Use the following procedure to disassemble the security bracket.

1. Remove the radio from the security bracket by following the steps in [“Removing a Radio from the Security Bracket”](#) on page 7.
2. Unscrew the four self-tapping screws holding the security bracket base in place.

More Information

Refer to your radio provider for more information about this product.